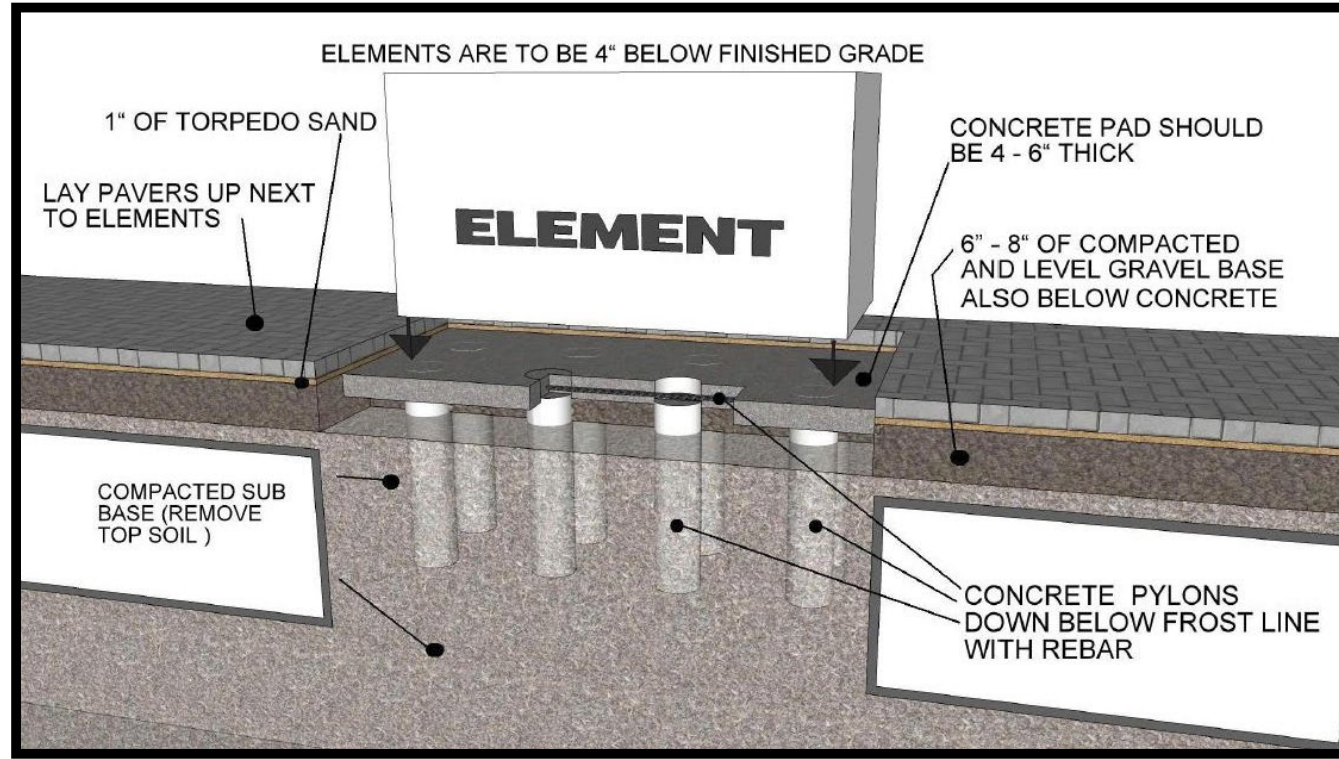


INSTALLATION INSTRUCTIONS



Make sure you check with your local municipality for their requirements when installing fire features.

A FEW KEY POINTS TO REMEMBER:

- Always place a piece of material (plywood or carpet work well) between your forks and the Fire features to prevent chipping.
- Always transport the Fire feature on the pallet it comes with until you are ready to place on the permanent location.
- Make sure to use a ratchet strap to secure the Fire feature to the loader when transporting and placing.
- Handle Fire features with care - they are concrete, but not indestructible.
- Make sure to size the machine to the Fire features weight.
- All Fire features are designed to be buried 4" below finish grade.

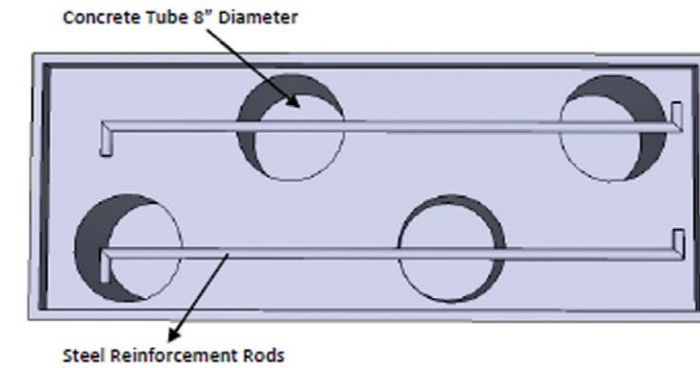


INSTALLATION INSTRUCTIONS

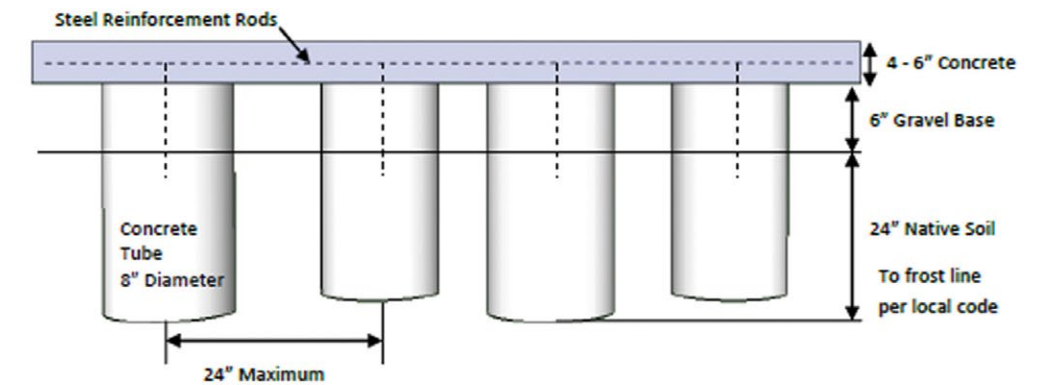
Typical Cross Section for Concrete Pad Installation

***The following measurements are a suggestion. Always check your local building codes first.*

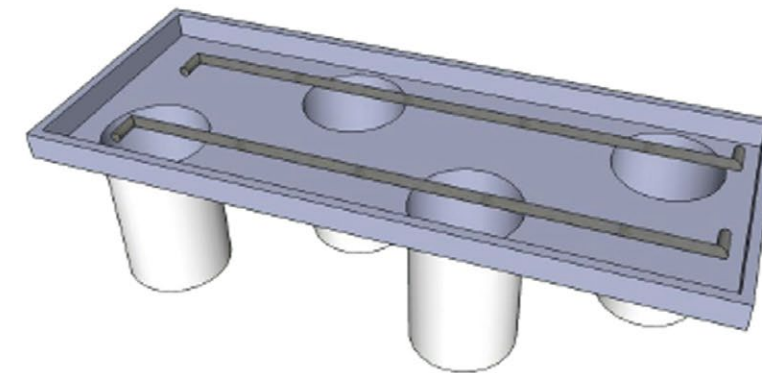
Top View



Side View



3D View



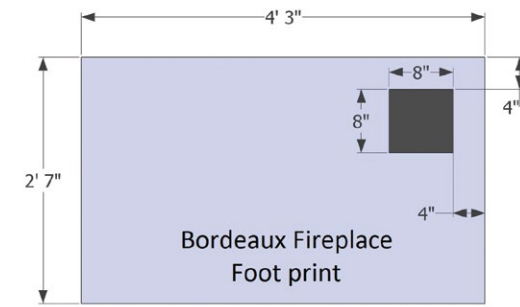
For areas not affected by freeze-thaw conditions please contact your local Belgard sales representative for further installation information.

BORDEAUX SERIES™

NATURAL COLLECTION 

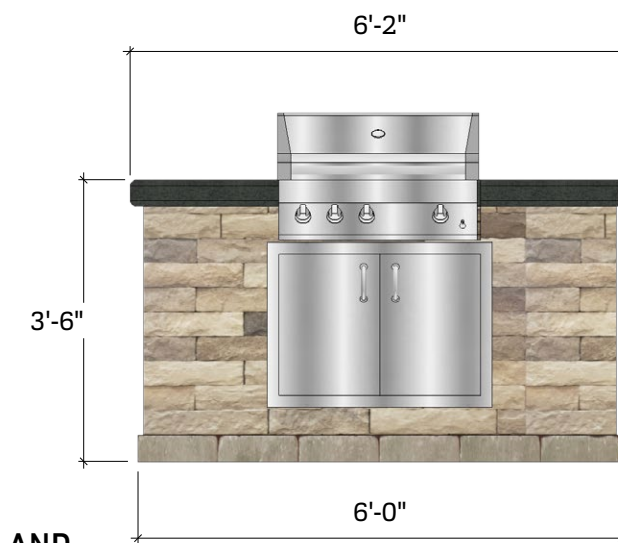
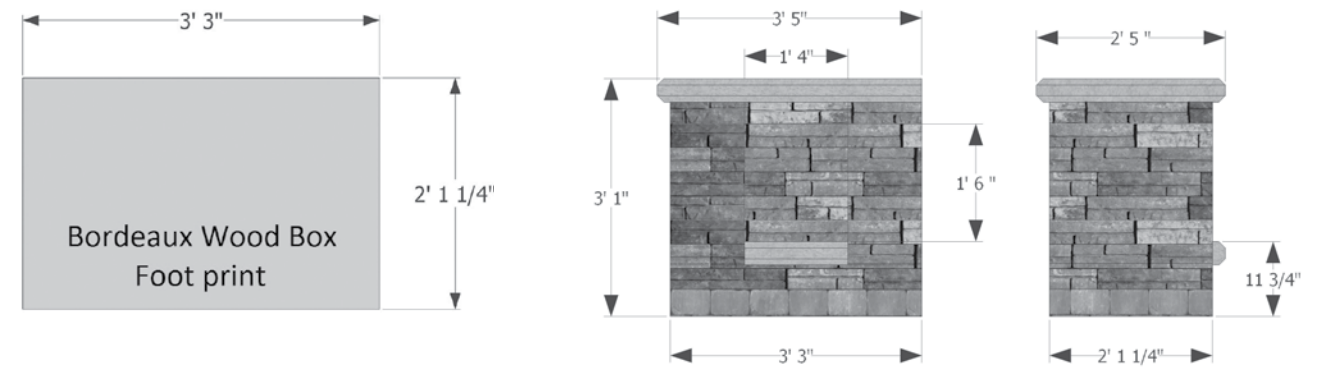
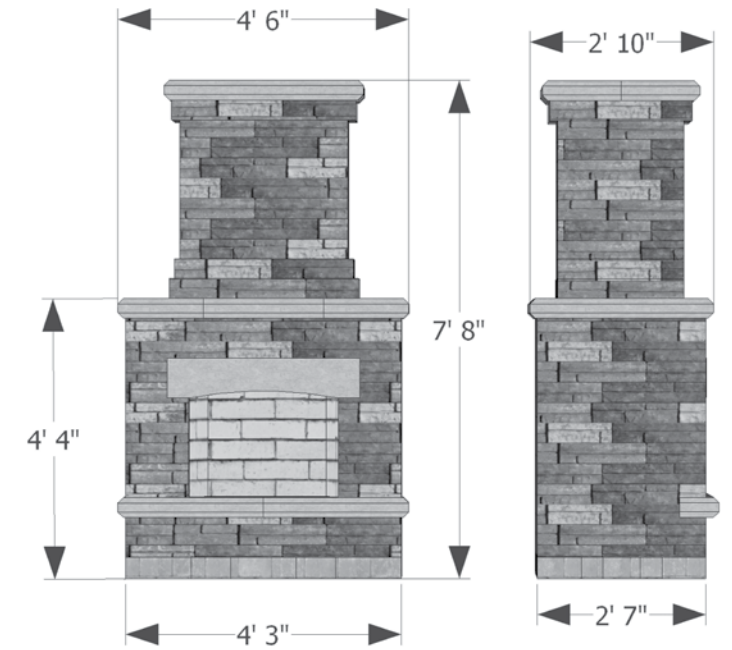
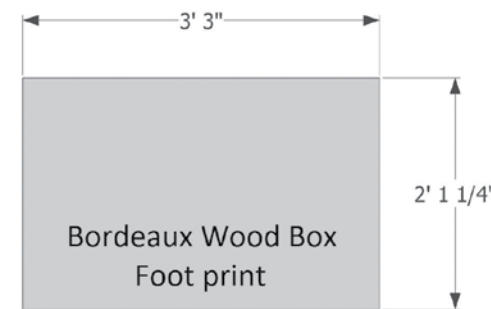


BORDEAUX SERIES™



FIREPLACE
 Rough Dimensions:
 2' 7" D x 4' 3" W x 7' 8" H

WOOD BOXES
 Rough Dimensions:
 2' 1 1/4" D x 3' 3" W x 3' 1" H

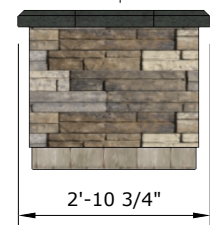
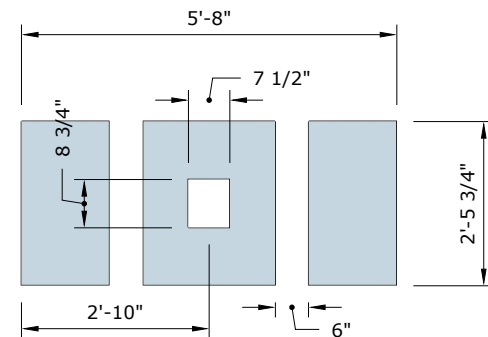
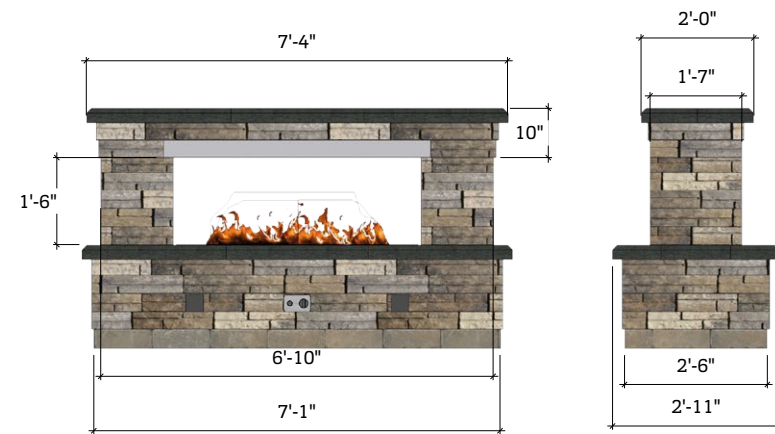
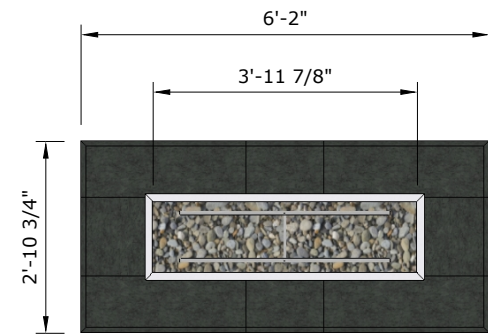


GRILL ISLAND
 Rough Dimensions:
 2' 6" D x 5' 11" W x 3' 5" H

BORDEAUX SERIES™

LINEAR FIREPIT

Rough Dimensions:
2' 11"D x 7' 4"W x 5' 4"H



LINEAR FIRETABLE

Rough Dimensions:
2' 10 3/4"D x 6' 2"W x 2' 4 3/4"H

FIREPLACE

70300791
Bordeaux Builder Wood Fireplace
Colors: Lamina Sienna/
Cordova Stone Buff Base + Top

13070014
Bordeaux Builder Wood Fireplace
Colors: Lamina Sienna/
Cordova Stone Midnight
Base + Top

Approximate Weight:
Bottom Unit-2850 lbs.
Top Unit-1320 lbs.

Rough Dimensions:
2' 7"D x 4' 3"W x 8'H

36" wood burning fireplace can be converted to a vented gas unit on-site.

WOOD BOXES

13140001
Bordeaux Wood Boxes (Pair)
Colors: Lamina Sienna/
Cordova Stone Buff

13140020
Bordeaux Wood Boxes (Pair)
Colors: Lamina Sienna/
Cordova Stone Midnight

13140505

Bordeaux Wood Boxes (Pair)
Colors: Lamina Solid Shelby Blend/
Cordova Stone Midnight

Approximate Weight:
3070 lbs.

Rough Dimensions:
2' 1 1/4"D x 3' 3"W x 3' 1"H

GRILL ISLAND

Bordeaux Grill Island
Colors: Lamina Sienna/
Cordova Stone Buff
+ Stainless

Bordeaux Grill Island
Colors: Lamina Sienna/
Cordova Stone Midnight
+ Stainless

Bordeaux Grill Island
Colors: Lamina Solid Shelby Blend/
Cordova Stone Midnight
+ Stainless

Approximate Weight:
3055 lbs.

Rough Dimensions:
2' 6"D x 5' 11"W x 3' 5"H

LINEAR FIREPIT

13000019
Bordeaux Linear Firepit
Colors: Lamina Sienna/
Cordova Stone Midnight

13000020
Bordeaux Linear Firepit
Colors: Lamina Pewter/
Cordova Stone Midnight

Approximate Weight:
4000 lbs.

Rough Dimensions:
2' 1"D x 7' 4"W x 5' 4"H

LINEAR FIRE TABLE

13000204
Bordeaux Linear Fire table
Colors: Lamina Sienna/
Cordova Stone Midnight

13000203
Bordeaux Linear Fire table
Colors: Lamina Pewter/
Cordova Stone Midnight

Approximate Weight:
2500 lbs.

Rough Dimensions:
2' 10 3/4"D x 6' 2"W x 2' 4 3/4"H



LOCATIONS & CONTACT INFO

ASP ENTERPRISES

aspent.com
salesasp@aspent.com

BOWMAN CONSTRUCTION SUPPLY

bowmanconstructionsupply.com
salesbcs@bowmanconstructionsupply.com

QUICK SUPPLY CO.

quicksupplyco.com
salesquick@quicksupplyco.com

CASCADE GEOSYNTHETICS

cascadageos.com
salescascade@cascadageos.com

St. Louis, MO 636.343.4357
Omaha, NE 402.861.8579

Kansas City, MO 816.554.1191
Wichita, KS 316.393.1554

Denver, CO 303.696.8960
Colorado Springs, CO 719.257.7840

Loveland, CO 970.535.0863

Des Moines, IA 515.289.1271

Portland, OR 971.339.1020

SOLUTIONS WE SUPPLY

GEOSYNTHETICS

Filter Fabrics
Stabilization Fabrics

Geogrids

- Road Grids
- Wall Grids
- Slope Stabilization

Specialty Fabrics

Composite Geomembranes

- GCLs, PVC, HDPE, LLDPE, EPDM, Granular Bentonite

SEDIMENT CONTROL

Inlet Protection

- Grated Inlet, Curb Inlet, Area Inlet Protection

Ditch Checks

- Triangle Silt Dike
- GeoRidge

Perimeter Protection

- High and Low-Porosity Silt Fence, Straw Wattles, Silt Socks
- Safety Fence

Flocculants & Water Treatment

- Polymer-Based & Natural Flocculants

Sediment Basin Skimmers

Dewatering Bags

Trackout Control

- FODS
- Rumble Grates

Turbidity Curtains

EROSION CONTROL

Basic Hydraulically Applied Mulches

- Wood
- Paper
- Blends
- Straw

High-Performance Hydraulically Applied Products

- BFM
- FGM
- Additives & Tackifiers

Temporary Erosion Control Blankets

- Coir & Jute Mat/Nettings
- Short-Term ECBs
- Extended-Term ECBs

Permanent Erosion Control Blankets

- Turf Reinforcement Mats
- HP-TRMs
- Anchor Reinforced Vegetation System

Structural BMPs

- Transition Mats
- Geoweb Cellular Confinement
- Composite Vegetated Armor System
- Flex MSE Vegetated Wall System
- Articulated Concrete Block
- Gabions
- Grout-Filled Geotextile Mats

Vegetation Establishment

- Native Seed & Turf Seed
- Fertilizers
- Organic Soil Additives
- Stratavault Soil Cells

STORMWATER MANAGEMENT

Water Quality

- Inlet Filter Boxes
- Pre-Treatment Chamber
- Nutrient Separating Baffle Boxes
- High-Flow Biofiltration Media
- Hydrodynamic Separators
- Stratavault

Water Quantity

- Modular Underground Storage Systems
- Chamber Detention Systems

Drainage

- HDPE Swale Liner
- Pipe & Fittings
- Drainage Composites
- Strip Drain

Inlet Structures

- PVC
- Drain Basins, In-Line Drains
- Landscape

Permeable Pavers

- Permeable Articulating Concrete Block
- Grass Pavers
- Gravel Pavers
- Concrete Pavers

SPECIALTY

Natural & Synthetic Coir Fiber Logs

Vegetated Reinforced Soil Slopes

Soil Anchors

Root Barrier System

AquaBlok

Muscle Wall

We are full line distributors of construction materials for all project types. Contact us for assistance with a project. From specification and development to installation and completion, we're here to help with all of your site solution needs.

**GEOSYNTHETICS | EROSION CONTROL | STORMWATER MANAGEMENT
SEDIMENT CONTROL | REVEGETATION & SOIL AMENDMENTS**